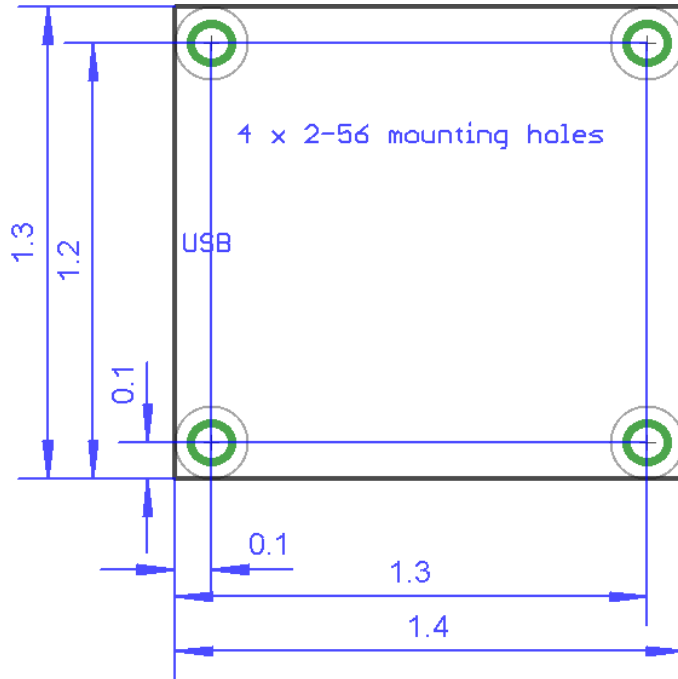


# JSB2414 Mechanical



Max Height above board 0.600  
Max Height below board 0.200  
Board thickness 0.062