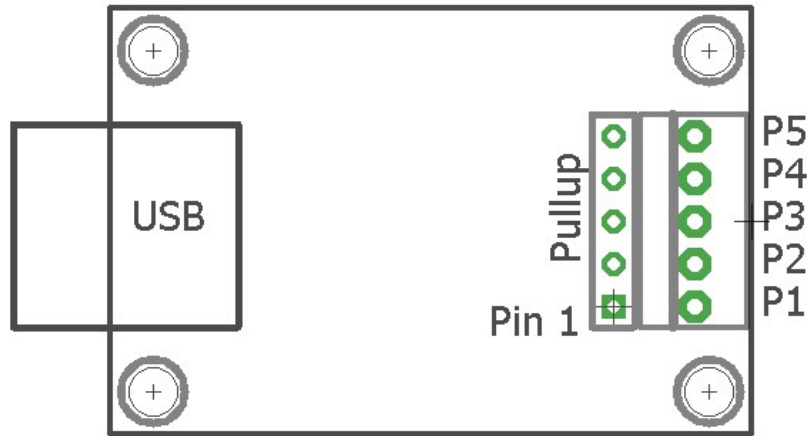


JSB381A/JSB382A/JSB391A/JSB392A Pin-out Detail

Note Pin-out change for A Version



	JSB382	JSB381	JSB392	JSB391
P5	Not used	In2- (or Gnd)	Not used	GND
P4	Not used	In2+	Not used	SW2
P3	In1-	In1-	GND	GND
P2	In1+	In1+	SW1	SW1
P1	+Volt In for PU If Used	+Volt In for PU If Used	+5V out If used	+5V out If used

Note: Pinout is multiple modules, so pins shown may not be present on each.