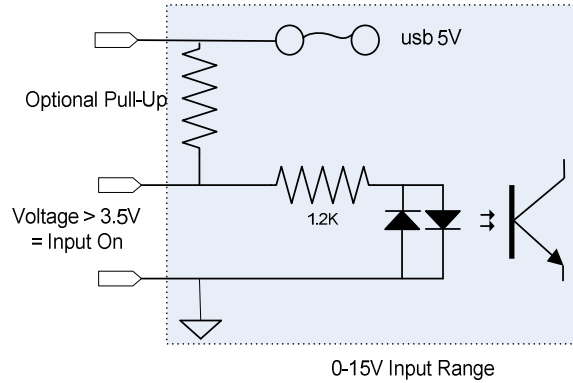
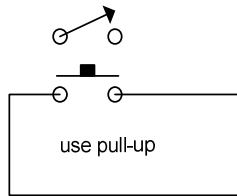
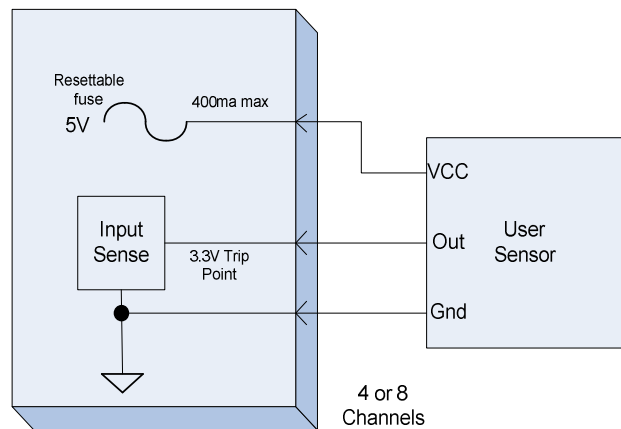
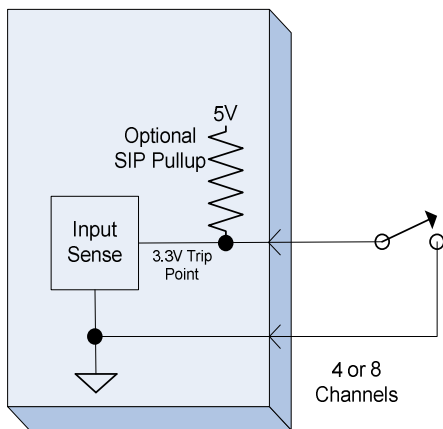
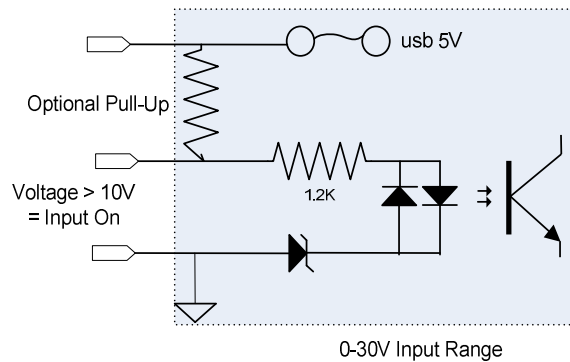
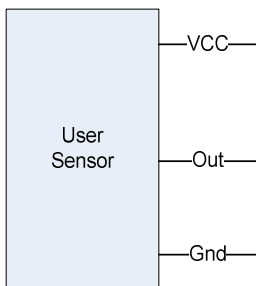


JSB392 IO Circuit Detail

Typical User Connection



**Input
not isolated**



Sample Connections