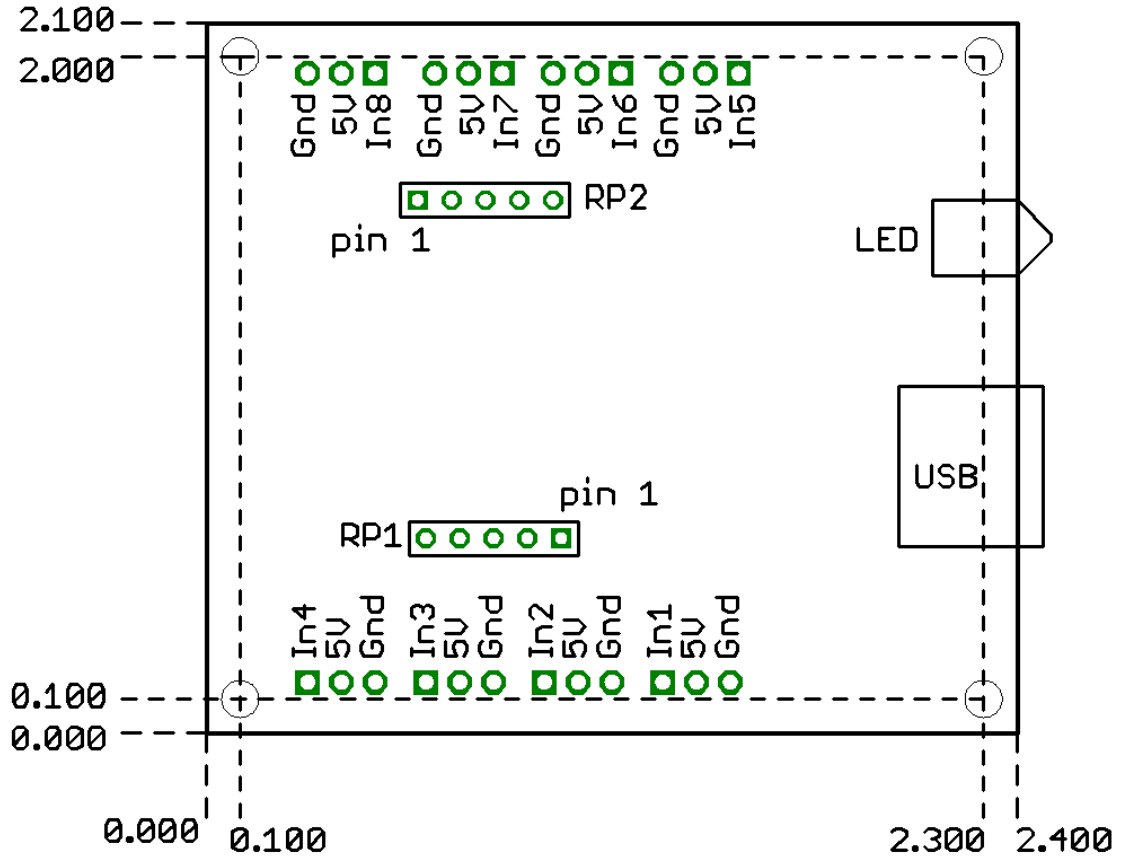


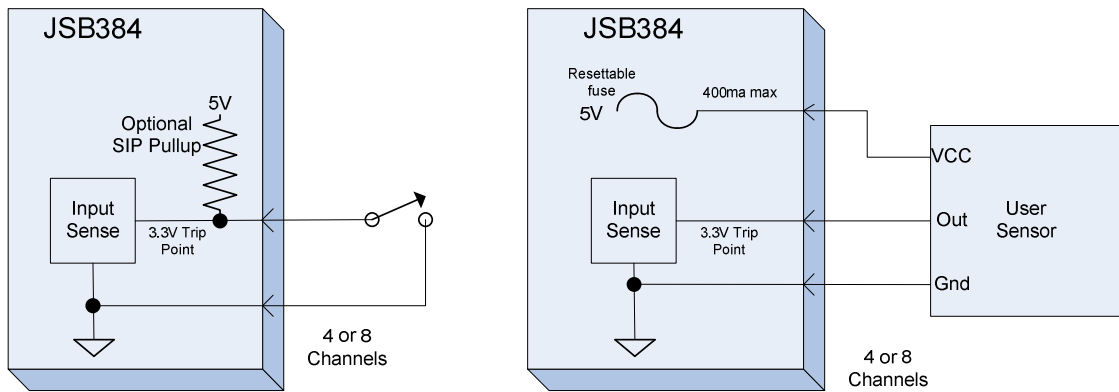
# JSB394

## Mechanical & Pin-Out Detail



# JSB394

## Mechanical & Pin-Out Detail



Sample Connections